

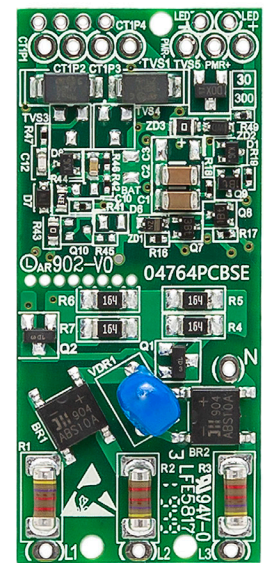
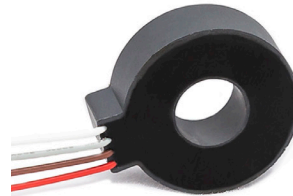
TYPE B SYSTEM 4 POLE 30mA

The Type B System consists of a CT and a PCBA. This system is designed to be integrated into any standard 2 pole or 4 pole VI RCCB to produce a 2 pole or 4 pole 30mA Type B RCCB.

A standard Type A RCCB can therefore be easily upgraded to a full B Type RCCB by integration of the component system. Residual current rating of 300mA is also available.

MAIN FEATURES

- Complies with IEC62423 (EN62423)
- Compact Design
- Suitable for integration into most 2 pole or 4 pole RCCB products
- Upgrades A type RCCB performance to B type RCCB performance
- Current ratings up to 63A
- Residual Current rating: 30mA. 300mA also available
- In-rush current withstand: 14I Δ n Peak
- Connection for LED indicator



Order Code: 90115

SEE ALSO

Type B Sys 4P 300mA *Type B 4 Pole Sensor Board + Current Transformer (IEC62423 (EN62423))*

Type EV Sys 4P 6mA *Type EV 4 Pole Sensor Board + Current Transformer (IEC62955)*

Supply Conditions

Supply voltage range is 50V - 240V which can be applied between any two poles.

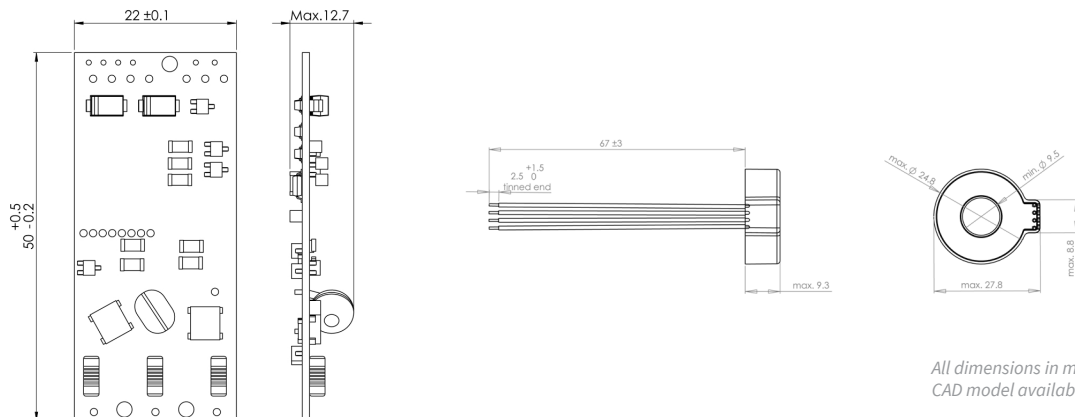
Fault Operation

When a residual fault current that exceeds the rated AC or DC levels is detected, a current pulse is applied between PMR+ and PMR-.

PIN OUT	
L1, L2, L3	240V AC to Neutral
N	Neutral
PMR+	Permanent Magnet Relay +
PMR-	Permanent Magnet Relay -

See Application Sheet WA-AS-013 for Connection Diagram

TECHNICAL DATA	
Relevant Product Standard	IEC / EN62423
Rated Residual Operating Current - ($I_{\Delta n}$)	60mA DC / 30mA AC
Rated Non-operating Residual Current - ($I_{\Delta no}$)	15mA DC / 15mA AC
Response Time to residual current fault (time between appearance of fault to output going high)	According to IEC 62423 (EN62423)
AC Supply Voltage:	50V - 240V AC
Rated Load Current - Amps	Up to 63A
Fault Signal Output	PMR Current Pulse
Environmental Operating Conditions Absolute Temperature	-25°C to +85°C
Sensor Board Weight	15g



All dimensions in mm
CAD model available on request

Disclaimer: Whilst every effort has been made to ensure the technical accuracy of this document, changes may be made to the document without notice based on information received by WA which necessitate such changes. WA ensures compliance of its products/technology with Product Standards relevant to the WA technology. However, the User of our products/technology has the sole responsibility to ensure that any Product that they produce which uses WA technology complies with the relevant Product Standards and Installation Rules as applicable to the end Product using the WA technology.



www.westernautomation.com

Ballinasloe, Co. Galway, H53 TD 78, Ireland.
Tel: +353 9096 43359. E: info@westernautomation.com

Page 2 of 2

Datasheet: Type B Sys 4P 30mA
WA-DS-013 Rev C